

RF6330200

Kit of screws and metal bracket for diffuser assembly



WARNING! When installing and whenever acting on the appliance, ensure that the power supply has been switched off.
For the installation of the spare-part, it is necessary to consult a qualified electrician.

RF6330200

Kit of screws and metal bracket for diffuser assembly

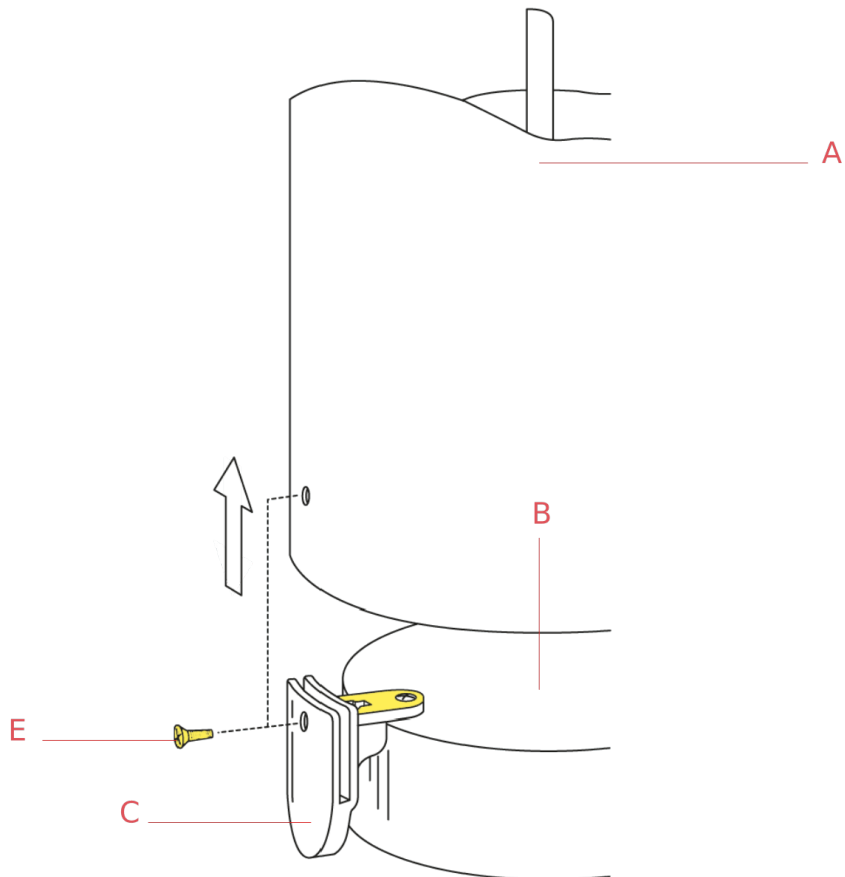


Fig.1

Unfasten the three screws (E) from the support (C) and then lift-up the diffuser (A).

WARNING! When installing and whenever acting on the appliance, ensure that the power supply has been switched off.
For the installation of the spare-part, it is necessary to consult a qualified electrician.

RF6330200

Kit of screws and metal bracket for diffuser assembly

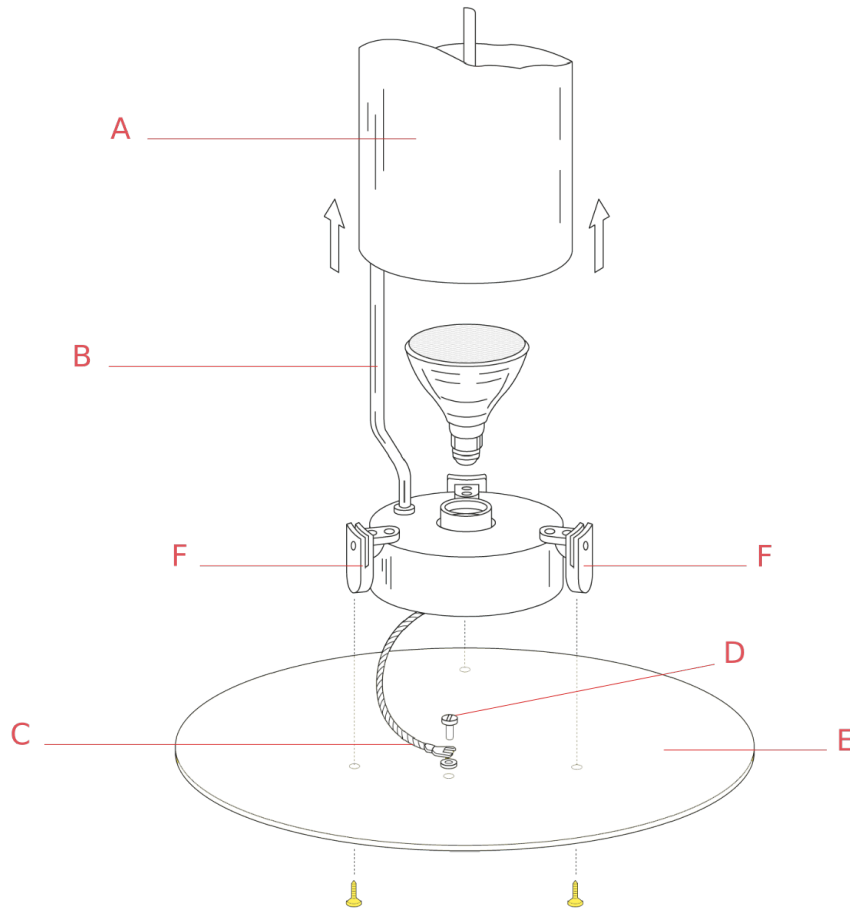


Fig.2

Remove the diffuser (A) from the metal stem (B).
Unfasten the "PAR" bulb from the lower lamp holder.
Remove the base (E) from the supports (F) by unfastening the three self-threading screws.
Unfasten the screw (D) and disconnect the earth wire (C).

WARNING! When installing and whenever acting on the appliance, ensure that the power supply has been switched off.
For the installation of the spare-part, it is necessary to consult a qualified electrician.

RF6330200

Kit of screws and metal bracket for diffuser assembly

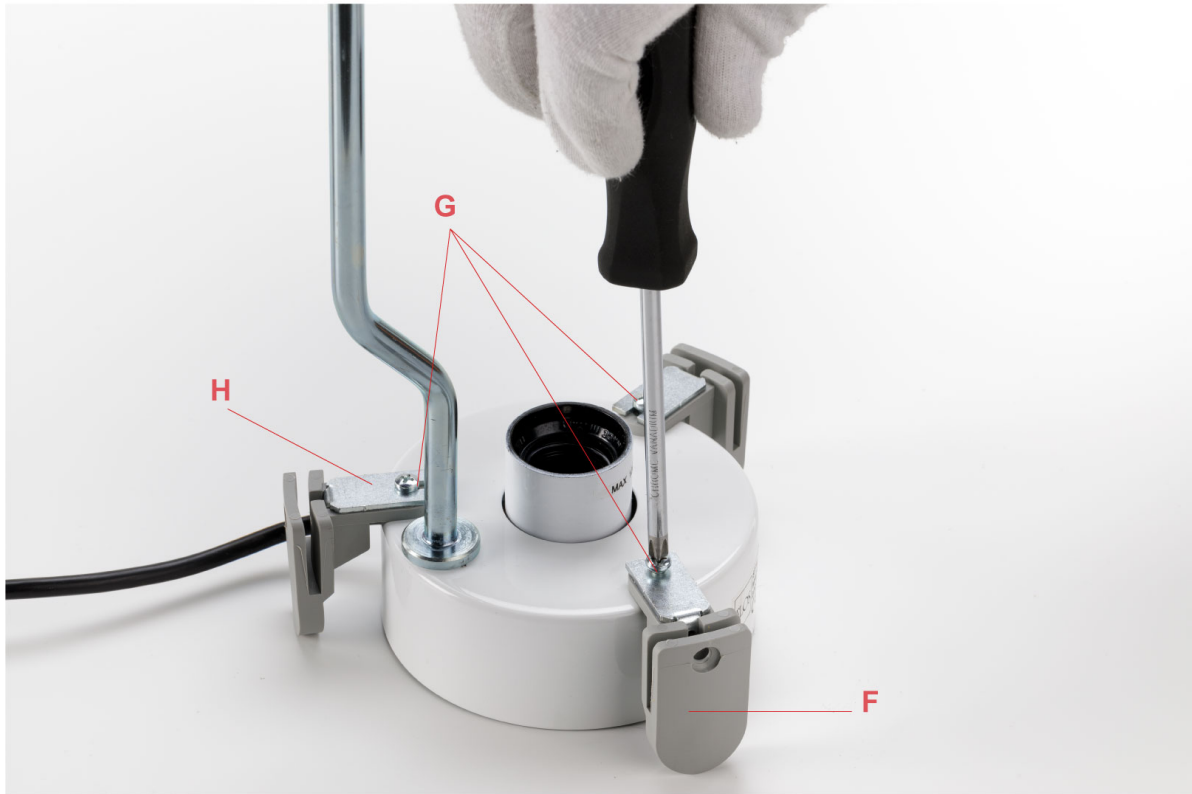


Fig.3

Remove the support (F) by unfastening the screw (G).
Remarks!!! Replace the metal brackets (H).
Install the support (F) with the metal bracket.

WARNING! When installing and whenever acting on the appliance, ensure that the power supply has been switched off.
For the installation of the spare-part, it is necessary to consult a qualified electrician.

RF6330200

Kit of screws and metal bracket for diffuser assembly

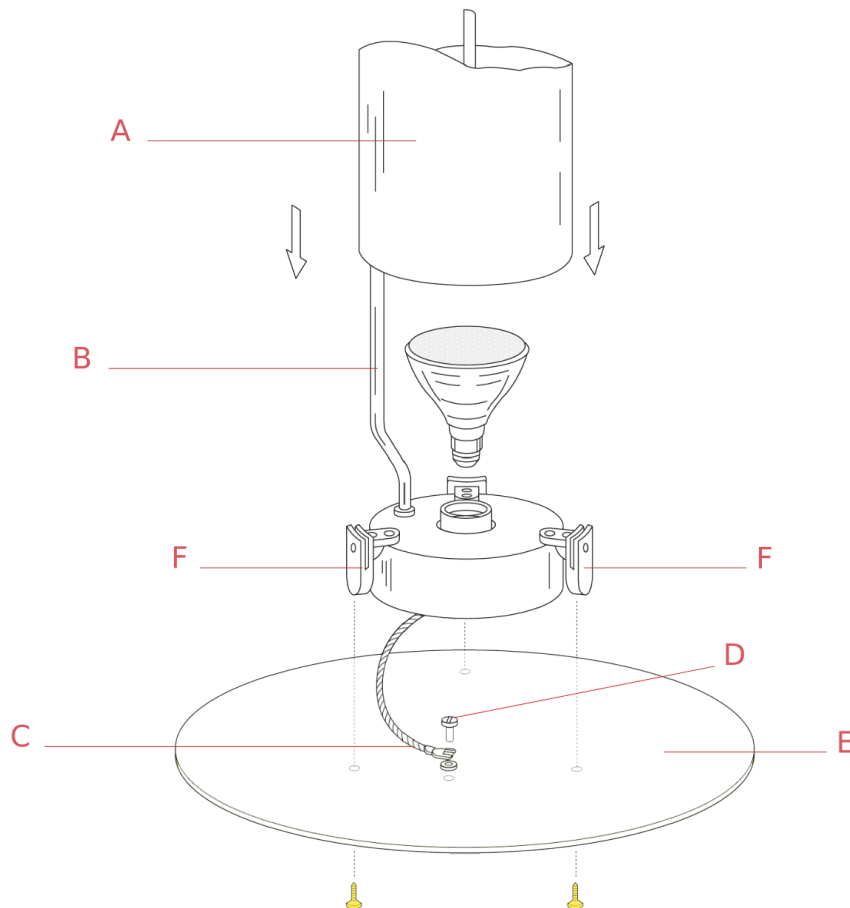


Fig.4

Connect the earth cable (C) to the base by fastening the screw (D), ensuring to insert the cable between the screw and the notched washer; Assemble the base (E) to the supports (F) by fastening the three self threading screws supplied in the spare-part kit.

Screw the "PAR" bulb into the lower bulb-holder. Slide the diffuser (A) through the metal stem (B). Insert the diffuser (A) into the metal structure (B) and through the openings in the supports (C). Utilize the tip of a screwdriver to help your self if necessary to align the holes in the diffuser to correspond with those present on the support.

Assemble the diffuser (A) by fastening screws (E) supplied in the spare-part kit.(Fig.1 page 22)

WARNING! When installing and whenever acting on the appliance, ensure that the power supply has been switched off. For the installation of the spare-part, it is necessary to consult a qualified electrician.