

KELVIN LED F F3305033

EN

F3322033A

KELVIN LED F ANTHRACITE BASE



WARNING! When installing and whenever acting on the appliance, ensure that the power supply has been switched off.
For the installation of the spare-part, it is necessary to consult a qualified electrician.

KELVIN LED F F3305033

EN

F3322033A

KELVIN LED F ANTHRACITE BASE

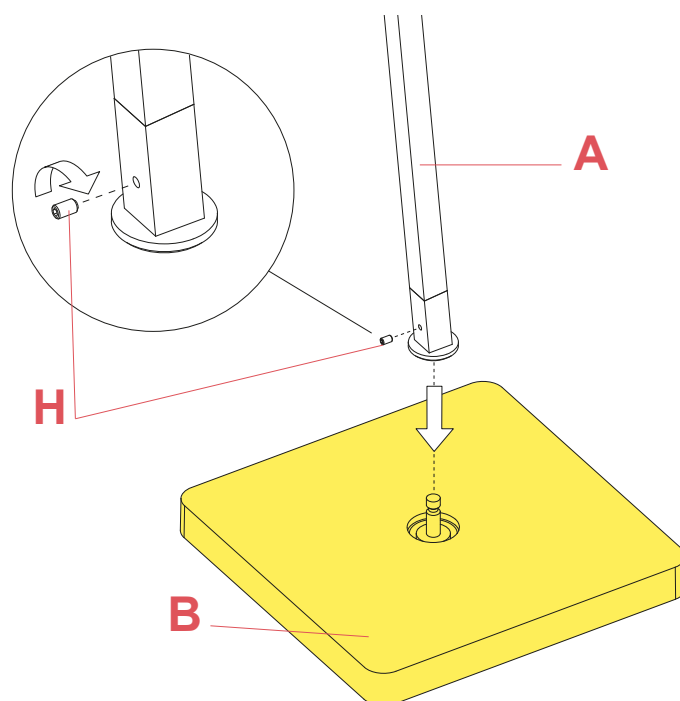


Fig.1

Insert the device support (A) into the pin (B) of the base and fasten the safety pin screw (H) by utilizing an Allen key hex 1,5mm.

REMARK! Be careful whilst tightening the safety pin screw to not scratch the base of the device.

WARNING! When installing and whenever acting on the appliance, ensure that the power supply has been switched off.
For the installation of the spare-part, it is necessary to consult a qualified electrician.

©2021 Flos - All rights reserved - www.flos.com
Flos reserves the right to introduce any changes to its own models, without prior notice.