

PC TCL PRO, 36 – 55 W

PC PRO compact



Product description

- _ CELMA Energy Efficiency Index A2 / A3
- _ Nominal life-time up to 50,000 h (at max. t_a with a failure rate $\leq 0.2\%$ per 1,000 h)
- _ Large temperature range (for values see table)
- _ Intelligent Voltage Guard (overvoltage indication and undervoltage shutdown)
- _ Constant luminous flux irrespective of fluctuations in mains voltage
- _ For luminaires of protection class I and protection class II
- _ Automatic start after replacement of defective lamps
- _ Safety shutdown of defective lamps and at end of lamp life
- _ Insulation Displacement Connection (IDC) terminal for rapid automatic or manual wiring
- _ For emergency lighting systems as per EN 50172
- _ For luminaires with M and MM as per EN 60598, VDE 0710 and VDE 0711
- _ Temperature protection as per EN 61347-2-3 C5e

Website

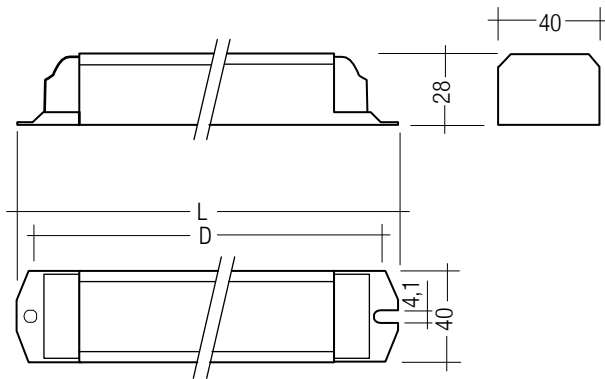
<http://www.tridonic.com/87500518>



PC TCL PRO, 36 – 55 W

PC PRO compact

The complete data sheet for this product is available in the Downloads section.

**Ordering data**

Type	Article number	Packaging, carton	Packaging, low volume	Packaging, high volume	Weight per pc.
For luminaires with 2 lamps					
PC 2/36 TCL PRO	87500518	28 pc(s).	560 pc(s).	2,240 pc(s).	0.220 kg

Technical data

Mains voltage range	220 – 240 V
AC voltage range	198 – 264 V
DC voltage range	176 – 280 V (lamp start \geq 198 V DC)
Mains frequency	0 / 50 / 60 Hz
Overvoltage protection	320 V AC, 1 h
Defined warm start	\leq 1.5 s
Operating frequency	\geq 40 kHz
Type of protection	IP20

Approval marks**Standards**

EN 55015, EN 60929, EN 61000-3-2, EN 61347-2-3, EN 61347-2-4, EN 61547, EN 60068-2-29, EN 60068-2-30, EN 60068-2-64, Acc. to EN 50172

Specific technical data

Lamp wattage	Lamp type	Type	Article number	Dimensions L x W x H	Hole spacing D	Lamp power	Circuit power	EEI	Current at 50 Hz		λ at 50 Hz		tc point max.	Ambient temperature ta
									220 V	240 V	220 V	240 V		
For luminaires with 2 lamps														
2 x 38 W	T26 (T8)	PC 2/36 TCL PRO	87500518	234 x 40 x 28 mm	220 mm	64 W	72.6 W	A2	0.34 A	0.31 A	0.98	0.98	75 °C	-25 ... +50 °C
2 x 36 W	TC-L	PC 2/36 TCL PRO	87500518	234 x 40 x 28 mm	220 mm	64 W	72.8 W	A2	0.34 A	0.31 A	0.98	0.98	75 °C	-25 ... +50 °C