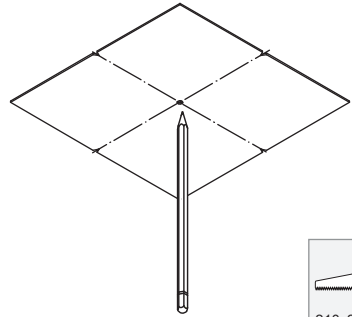


Mini multiple for smartrings 4x LED GE

125270XX-B1_125271XX-B1_125272XX-B1

1



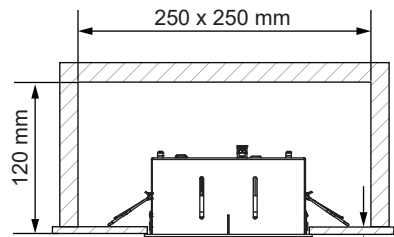
ELECTRICAL SPECS LED-FIXTURE

Drive Current (mA)	Forward Voltage		Power (W)
	min (Vf)	max (Vf)	
350	13,2	15,0	5,0
500	13,7	15,4	7,2

⊕ RED

⊖ BLACK

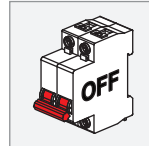
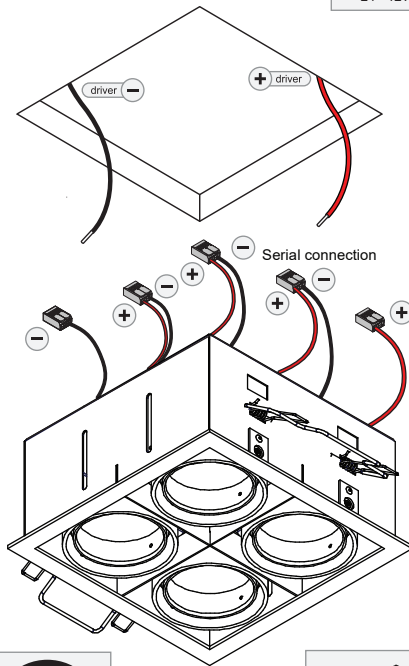
For serial connection, respect polarity!
Not suited for connection to mains voltage.
Combine with a Modular LED-driver.



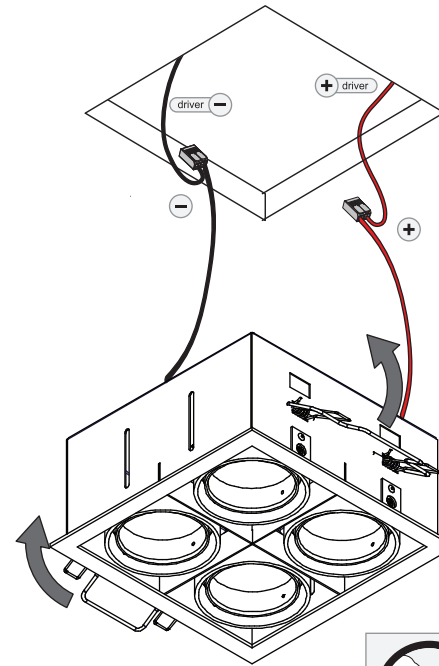
Min. 1mm
max. 40mm

2

11mm
0,2 - 4mm²
24 - 12 AWG



3



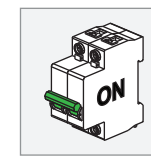
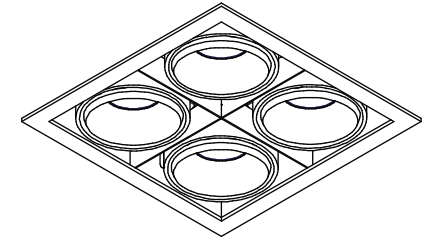
Frontrings Smart flatring:



Frontrings Smart kup-Cake-Lotis ring:



4



LIGHT SOURCE - DO NOT TOUCH LED

Touching the LED can result in permanent damage of the light source. The light source contained in this luminaire shall only be replaced by the manufacturer or his service agent or a similar qualified person.



PREVENTING ELECTROSTATIC DAMAGE

A discharge of static electricity may damage sensitive components. Therefore do not touch the LED nor the stripped parts of the wires with bare hands. Always be properly insulated by using ESD gloves.

DRIVERS & ACCESSORIES

For latest version of driver matrix and available accessories check www.supermodular.com or connect with your sales contact.