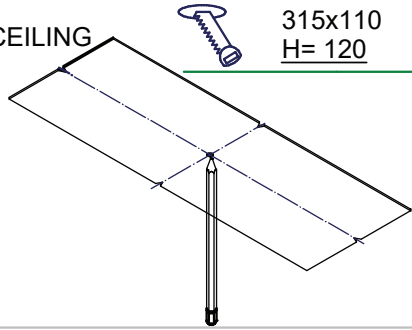


# Mini multiple for 3x LED GE

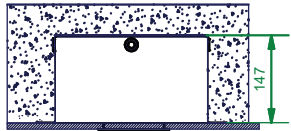
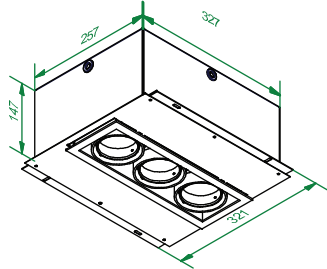
131302XX

## 1 CEILING

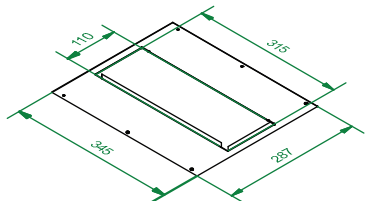
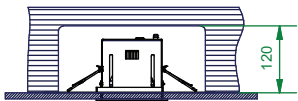
315x110  
H= 120



Conbox has to combined with gypkit !!!  
10400330+10420330

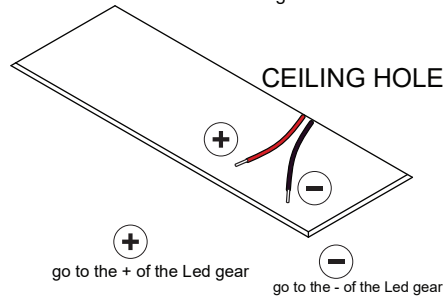


Gypkit :10420330 Mini-multiple 3Lx gypkit

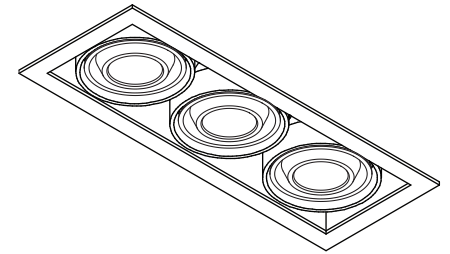
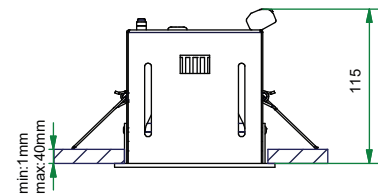
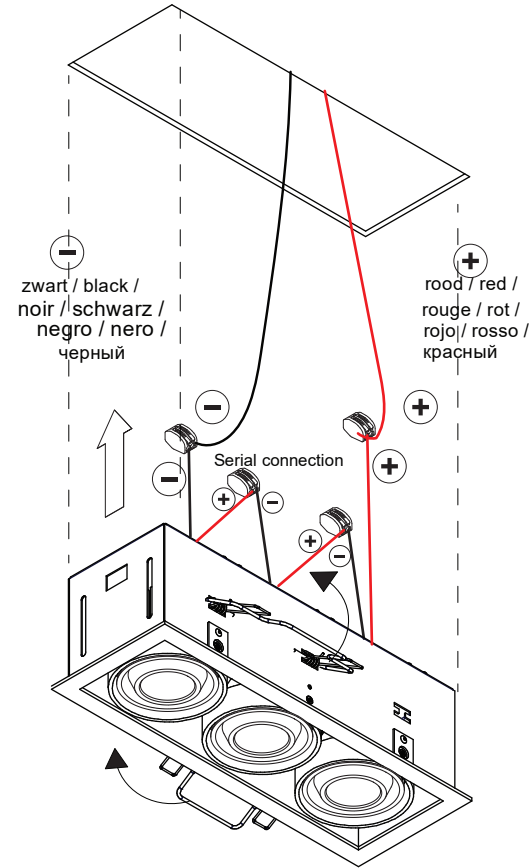
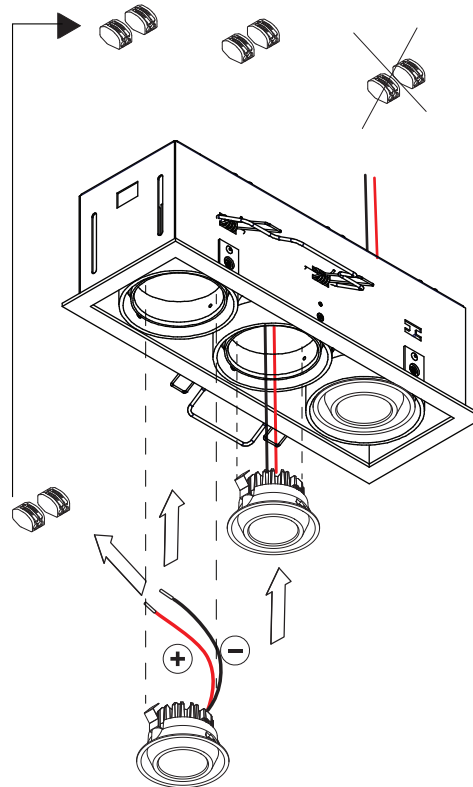


Don't connect the gear to 230V before the LEDs are connected to the gear!

CEILING HOLE



go to the + of the Led gear      go to the - of the Led gear



CAN BE USED WITH  
Drivers:  
see driver matrix - latest version on website  
[www.supermodular.com](http://www.supermodular.com) or check sales contact

